

4.0T UNIC **URW-547** CRANE



SECOND STAGE EXTENDED

3.99M – 7.7M BOOM LENGTH

Working radius		m	up to 2.5	2.7	3.0	3.5	4.0	4.5	5.0	5.5	6.0	7.0	7.25	7.51
Outrigger	Max-extended	kg	4,000	3,850	3,500	3,000	2,550	2,250	2,000	1,800	1,630	1,350	1,350	1,300
	Mid-extended	kg	4,000	3,850	3,500	3,000	2,550	2,200	1,850	1,630	1,400	1,010	1,010	850
	Min-extended	kg	4,000	3,850	3,500	3,000	2,550	2,100	1,640	1,320	1,080	750	750	620

THIRD STAGE EXTENDED

7.7M – 10.66M BOOM LENGTH

Working radius		m	up to 3.5	4.0	5.0	6.0	7.0	8.0	9.0	10.0	10.20	10.47
Outrigger	Max-extended	kg	3,000	2,550	2,000	1,650	1,350	1,100	850	600	600	520
	Mid-extended	kg	3,000	2,550	1,850	1,400	1,100	830	630	490	490	430
	Min-extended	kg	3,000	2,550	1,650	1,150	840	620	460	350	350	300

FOURTH STAGE EXTENDED

10.66M – 13.57M BOOM LENGTH

Working radius		m	up to 4.0	4.5	5.0	6.0	7.0	8.0	9.0	10.0	11.0	12.0	13.0	13.38
Outrigger	Max-extended	kg	2,200	1,900	1,700	1,370	1,150	1,000	900	800	660	500	410	380
	Mid-extended	kg	2,200	1,800	1,600	1,300	1,050	850	700	550	450	360	290	260
	Min-extended	kg	2,200	1,800	1,600	1,150	800	650	520	400	320	250	190	170

FIFTH STAGE EXTENDED

13.57M – 16.48M BOOM LENGTH

Working radius		m	up to 5.0	6.0	7.0	8.0	9.0	10.0	11.0	12.0	13.0	14.0	15.0	16.0
Outrigger	Max-extended	kg	1,100	880	730	620	570	520	270	410	350	290	230	180
	Mid-extended	kg	1,100	880	700	600	520	450	220	350	300	250	190	150
	Min-extended	kg	1,100	850	700	500	420	390	90	290	230	180	140	100

SIXTH STAGE EXTENDED

16.48M – 18.02M BOOM LENGTH

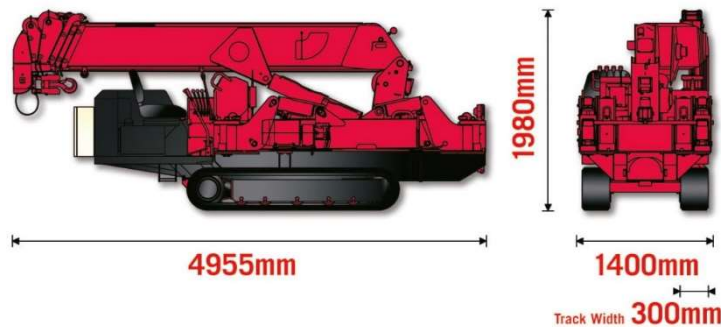
Working radius		m	up to 6.0	7.0	8.0	9.0	10.0	11.0	12.0	13.0	14.0	15.0	16.0	17.0
Outrigger	Max-extended	kg	300	250	230	200	170	160	150	140	130	120	110	80
	Mid-extended	kg	300	250	230	200	170	160	150	140	130	120	110	80
	Min-extended	kg	300	250	230	200	170	160	150	140	130	120	110	80

SEARCHER HOOK SMALL – 500kg max SWL

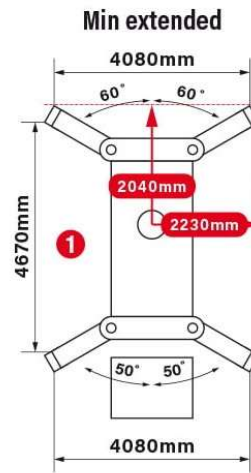
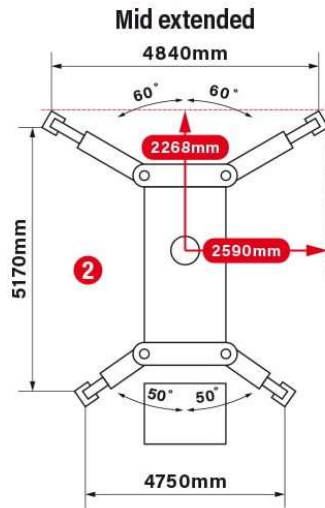
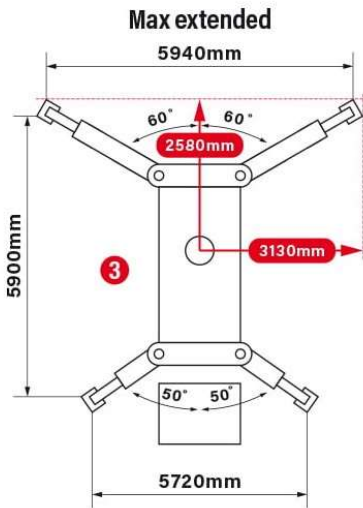
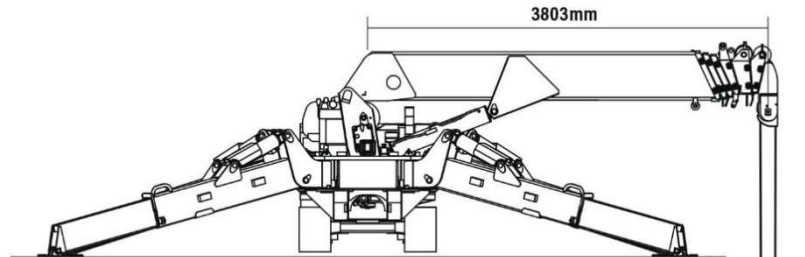
Lifting capacity	Up to 16.48m 500kg (boom stage 5) Over 16.48m 280kg (boom stage 6)
Length	800mm
Weight	20kg
Tilt angles	0°, 20°, 40°, 60°



DIMENSIONS



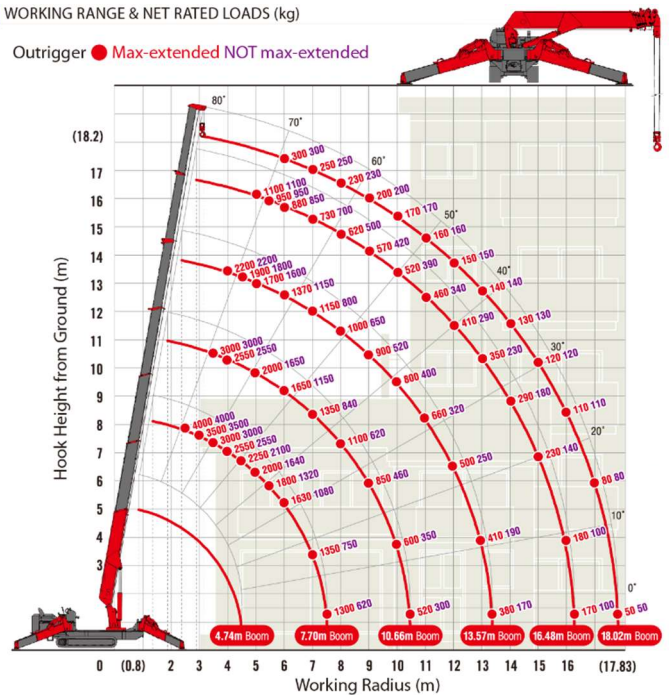
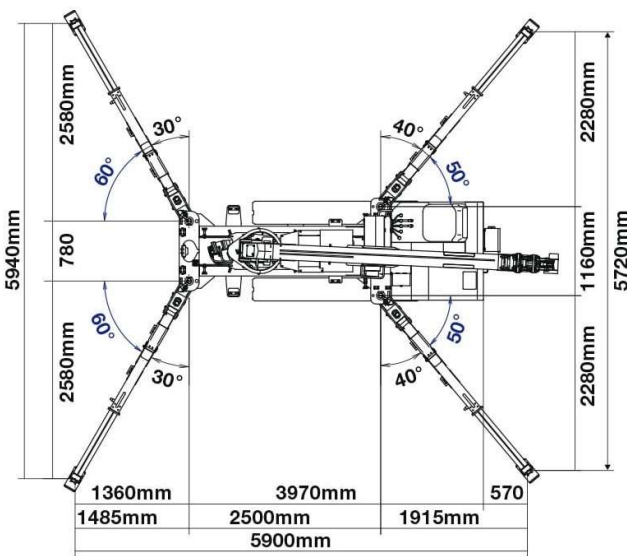
RATED LOADS & OUTRIGGER POSITIONS



4 Fall
 22.32m
 4000kg
 max

WORKING RANGE & NET RATED LOADS (kg)

Outrigger ● Max-extended NOT max-extended



SPECIFICATIONS

Crane capacity	capacity:	4.0t x 2.5m
Max working radius	max:	17.83m
Max lifting height	approx:	18.2m
Rope length	max:	22.32m (4 fall)
Dimensions	folded:	4955mm (l) x 1400mm (w) x 1980mm (h)
Weight	unladen:	5160kg (with electric option)
Point loadings	Due to the many variables involved, point loadings are only available on request	
Hook speed	approx:	14m/min (with 5 layers and 4 falls)
Telescopic system	boom length:	3.99 - 18.02m
	telescoping speed:	14.03m/35 seconds
	boom type:	7 section hydraulically telescoping boom, hexagonal box construction
Derricking angle/speed	approx:	0 - 80°/18.0 seconds
Slewing angle/speed	approx:	360° (continuous) 2.5min rpm
Traction system	drive:	hydrostatic 2-speed, stepless forward and reverse
	travel speed:	0 - 3km/h
	gradability:	23°
	track ground length:	1750mm
	track ground pressure:	47kPa (0.48kg/cm ²)
	track width:	300mm
Engine	manufacturer:	Mitsubishi / Yanmar
	fuel:	diesel (electric dual power option)
	maximum output:	17.5kW (23.8PS) / 2100min rpm
	starting method:	electric
	tank capacity:	40 litres
Electric motor	power:	7.5kW
	voltage:	400v AC 50/60Hz
Standard equipment	computer controlled moment limiter (safe load indicator), radio remote control, overwinding alarm, computer controlled intelligent voice warning system, multi-function operation by radio remote control, intelligent throttle activation, automatic hook stow, overload warning alarms, overload warning lamps, working area limitation, 4 fall hook, 500kg searcher hook, dual diesel/electric powered	